

# Kem-P® Vibration Motors

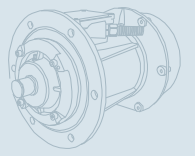
## FVM SERIES



- ✓ KALITE / QUALITY
- TASARIM / DESIGN
- TEKNOLOJİ / TECHNOLOGY
- YENİLİK / INNOVATION
- GÜÇ / POWER
- TECRÜBE / KNOW-HOW
- SERVİS / SERVICE
- PERFORMANS / PERFORMANCE
- VERİMLİLİK / PRODUCTIVITY



[www.kem-p.com](http://www.kem-p.com)

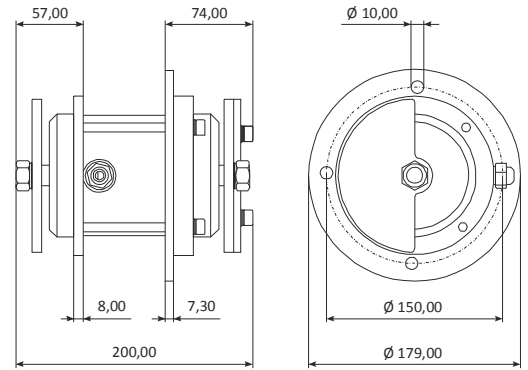
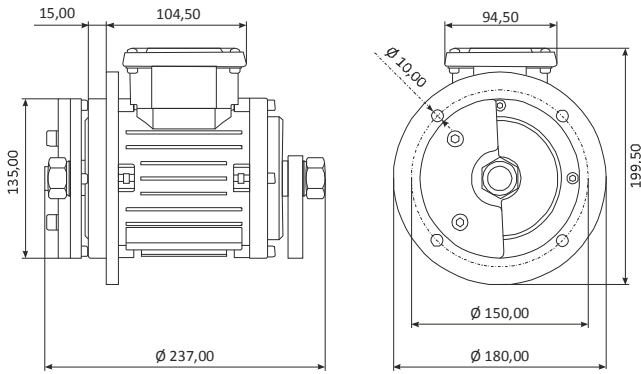


Model Type	rpm	Santrüfuj Kuvveti Centrifugal Force				Ağırlık Weight		Giriş Gücü Input Power		Nominal Akım Nom. Current		I <sub>A</sub> / I <sub>N</sub>	
		( Kg/F )		( KN )		( Kg )		( W )		( A )			
		50Hz	60Hz	50Hz	60Hz	50Hz	60Hz	50Hz	60Hz	400V 50Hz	460V 60Hz	50Hz	60Hz
EVM-FT 200/15	1500	175	175	1,72	1,72	10	9	180	190	0,45	0,37	0,90	0,95
EVM-FT 300/15	1500	250	250	2,45	2,45	13	12	270	285	0,60	0,55	1,35	1,40

Gövde Ölçüleri - Overall Dimensions (mm)

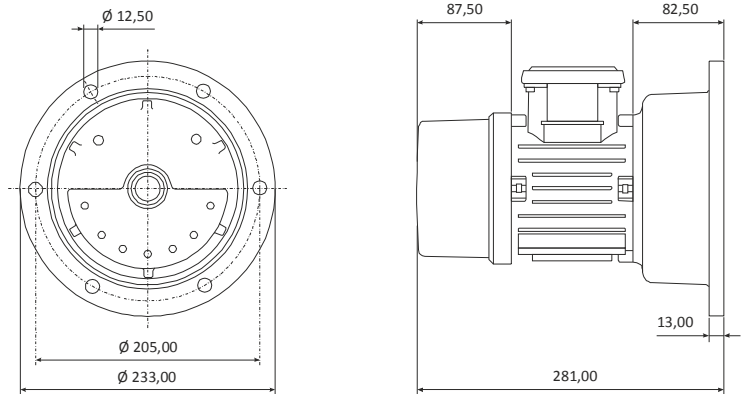
EVM-FT 300

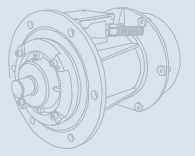
EVM-FT 200



Model Type	rpm	Santrüfuj Kuvveti Centrifugal Force				Ağırlık Weight		Giriş Gücü Input Power		Nominal Akım Nom. Current		I <sub>A</sub> / I <sub>N</sub>	
		( Kg/F )		( KN )		( Kg )		( W )		( A )			
		50Hz	60Hz	50Hz	60Hz	50Hz	60Hz	50Hz	60Hz	400V 50Hz	460V 60Hz	50Hz	60Hz
EVM-FT 500/3	3000	534	--	5,239	--	28	--	470	--	0,91	--	--	--

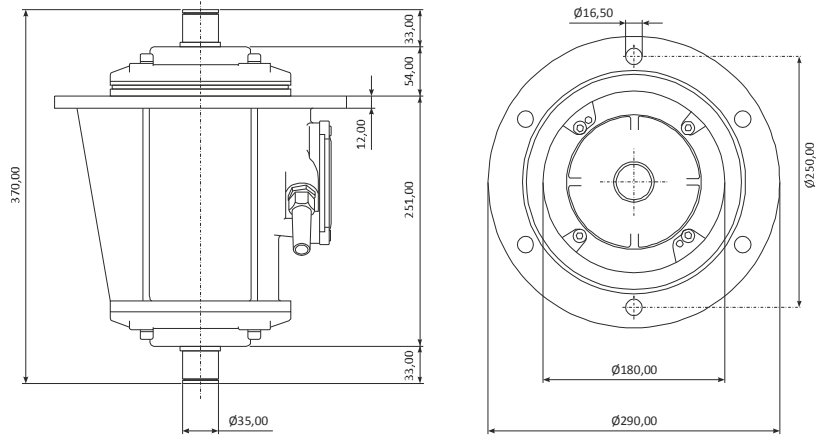
Gövde Ölçüleri - Overall Dimensions (mm)





Model Type	rpm	Santrüfuj Kuvveti Centrifugal Force				Ağırlık Weight		Giriş Gücü Input Power		Nominal Akım Nom. Current		I <sub>A</sub> / I <sub>N</sub>	
		( Kg/F )		( KN )		( Kg )		( W )		( A )			
		50Hz	60Hz	50Hz	60Hz	50Hz	60Hz	50Hz	60Hz	400V 50Hz	460V 60Hz	50Hz	60Hz
FVM 1550/15	1500	1500	1500	14,715	14,715	38	38	1100	1200	2,20	2,00	4,4	4,8
FVM 1350/10	1000	1300	1300	12,753	12,753	38	38	800	900	1,60	1,60	3,6	4,0

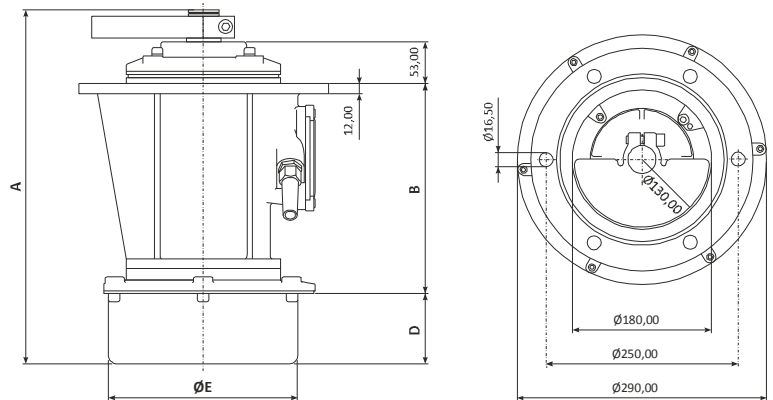
Gövde Ölçüleri - Overall Dimensions (mm)

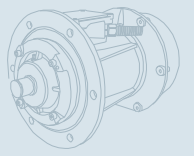


Model Type	rpm	Santrüfuj Kuvveti Centrifugal Force				Ağırlık Weight		Giriş Gücü Input Power		Nominal Akım Nom. Current		I <sub>A</sub> / I <sub>N</sub>	
		( Kg/F )		( KN )		( Kg )		( W )		( A )			
		50Hz	60Hz	50Hz	60Hz	50Hz	60Hz	50Hz	60Hz	400V 50Hz	460V 60Hz	50Hz	60Hz
FVM 1100/3-EC	3000	1055	967	10,350	9,575	42	40	1200	1300	1,90	1,90	5,2	6,0
FVM 1600/3-EC	3000	1315	1300	12,900	12,753	45	43	1700	2000	3,10	2,90	4,6	5,6
FVM 1100/15-EC	1500	782	902	7,671	8,849	46	44	1000	1100	1,60	1,60	4,3	4,4
FVM 1550/15-EC	1500	1030	1200	10,104	11,772	50	47	1100	1200	2,50	2,00	4,4	4,7

Gövde Ölçüleri - Overall Dimensions (mm)

Model Type	A	B	ØE	D
FVM 1100/3-EC	412	242	221	84
FVM 1600/3-EC	412	242	221	84
FVM 1100/15-EC	412	242	221	84
FVM 1550/15-EC	440	244	283	110





Model Type	rpm	Santrüfuj Kuvveti Centrifugal Force				Ağırlık Weight		Giriş Gücü Input Power		Nominal Akım Nom. Current		I <sub>A</sub> / I <sub>N</sub>	
		( Kg/F )		( KN )		( Kg )		( W )		( A )			
		50Hz	60Hz	50Hz	60Hz	50Hz	60Hz	50Hz	60Hz	400V 50Hz	460V 60Hz	50Hz	60Hz
FVM 6500/3-BS	3000	6113	6113	59,97	59,97	200	200	9000	9000	15,30	14,00	5,7	5,9
FVM 7000/15-BS	1500	7000	7000	68,67	68,67	198	198	7000	7000	12,20	10,80	5,3	5,7
FVM 7000/10-BS	1000	7000	7000	68,67	68,67	198	198	5100	6000	10,50	10,60	5,1	5,3

Gövde Ölçüleri - Overall Dimensions (mm)

